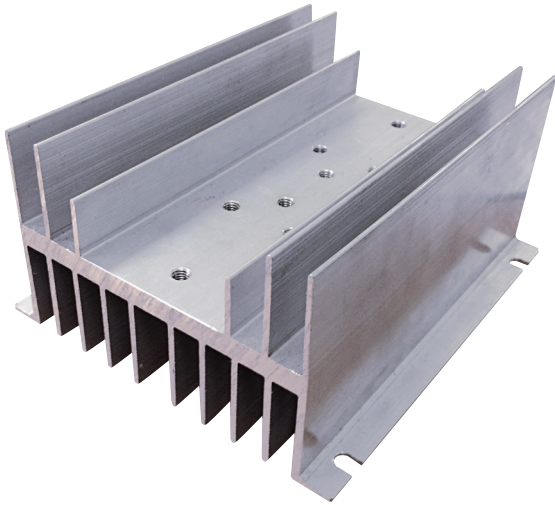


RHS10067LD



Accessories: Heatsinks



▶ Main features

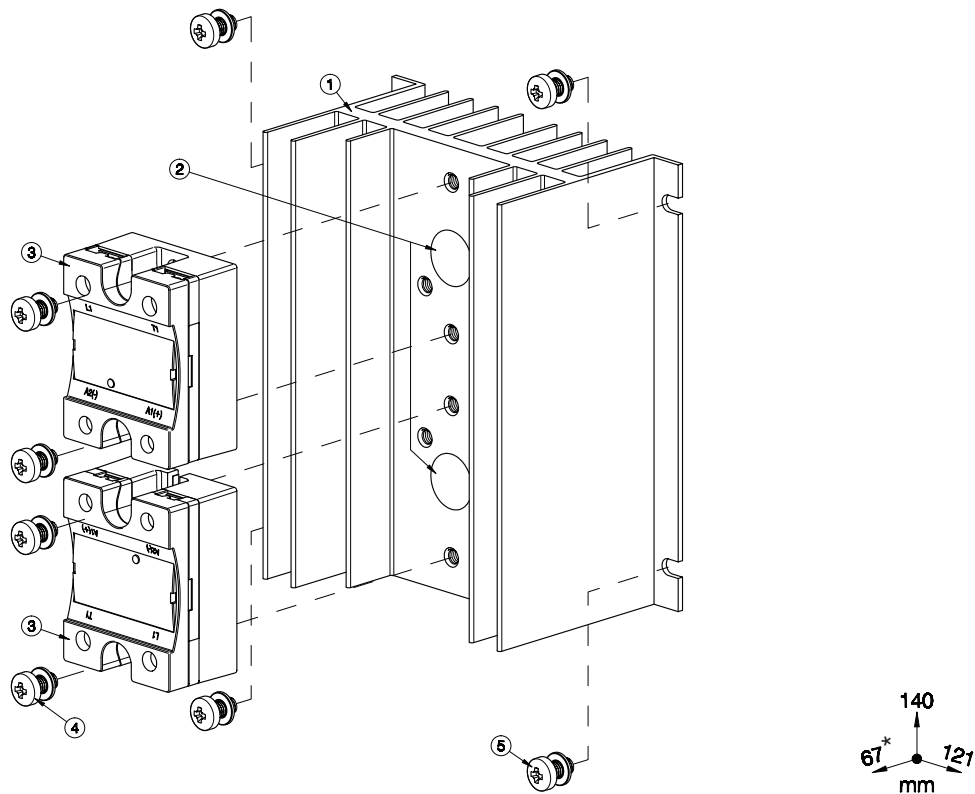
- 0.88°C/W thermal resistance
- Suitable for mounting of 1-phase SSRs
- Panel mounting
- Dimensions W x H x D: 121 x 140 x 67 mm
- RoHS compliant

▶ Description

Heatsink assembly suitable for mounting of 2x 1-phase solid state relay (SSR). Suffix H58L added to SSR part no. refers to factory mounted heatsink. Conditions apply. Please ask your sales representative for further details.

Structure

1-phase SSR



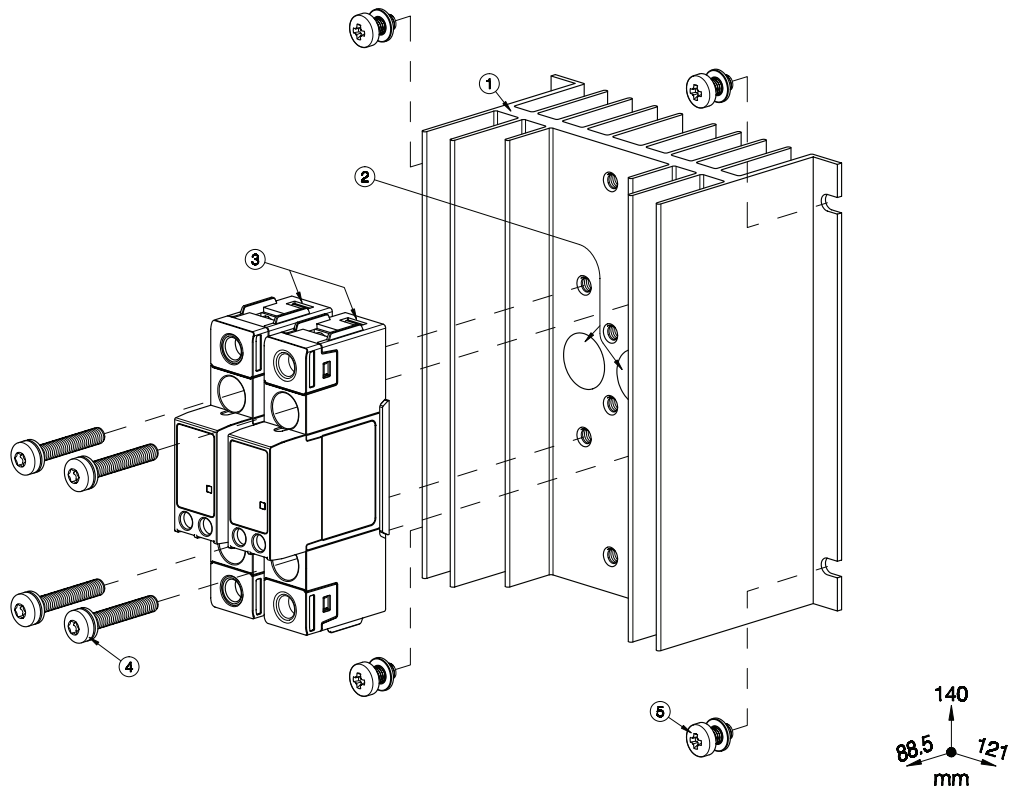
Element	Component	Qty	RHS10067LD
1	RHS10067LD heatsink assembly	1	Provided
2	Thermal Compound or Pad	1	Not provided
3	1-phase SSR 45x59mm (max.)	2	Not provided
4	M5x10mm PZ2 + Washer (per SSR)	2	Provided (x4)
5	Panel Mounting Screws Ø5mm max.	4	Not provided

Note:

* 71mm for RK..C, 82mm for RK..P (including plug).

Dimensions including the SSR.

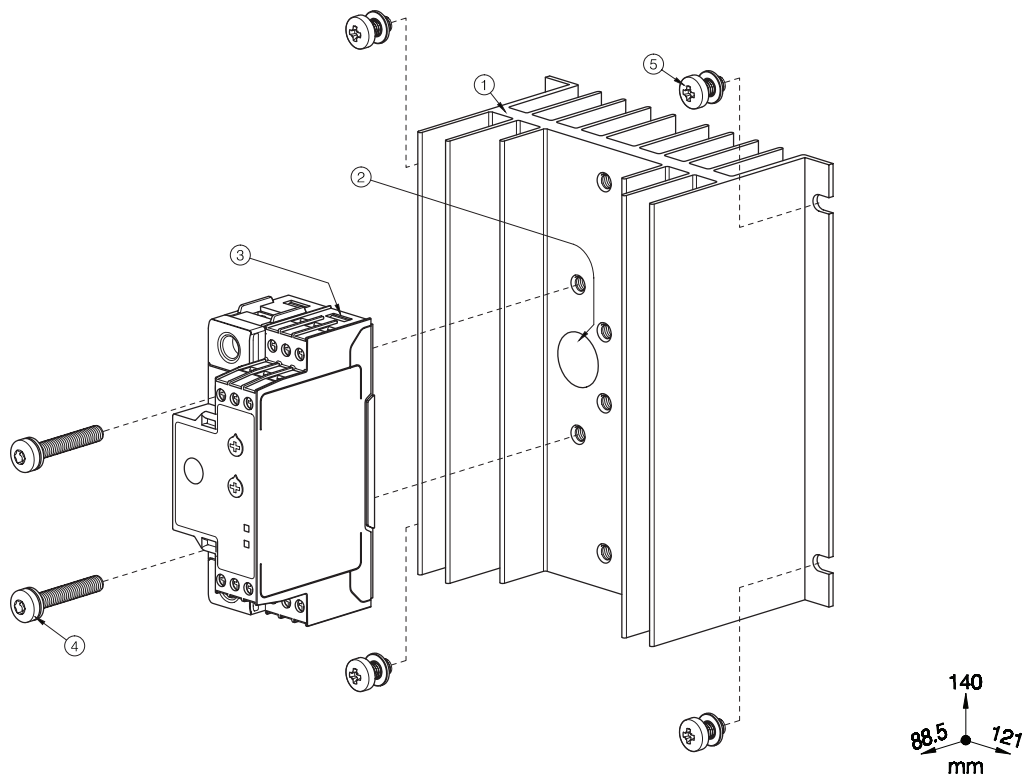
RGS1 18mm Module



Element	Component	Qty	RHS10067LD
1	RHS10067LD heatsink assembly	1	Provided
2	Thermal Compound or Pad	1	Not provided
3	RGS1 SSR 18x90mm (max.)	2	Not provided
4	M5x30mm Torx T20 + Washer (per SSR)	2	Provided (x4)
5	Panel Mounting Screws Ø5mm max.	4	Not provided

Note:
Dimensions including the SSR.

RGS1P 35mm Module



Element	Component	Qty	RHS10067LD
1	RHS10067LD heatsink assembly	1	Provided
2	Thermal Compound or Pad	1	Not provided
3	RGS1P SSR 35x90mm	1	Not provided
4	M5x30mm Torx T20 + Washer	2	Provided (x4)
5	Panel Mounting Screws Ø5mm max.	4	Not provided

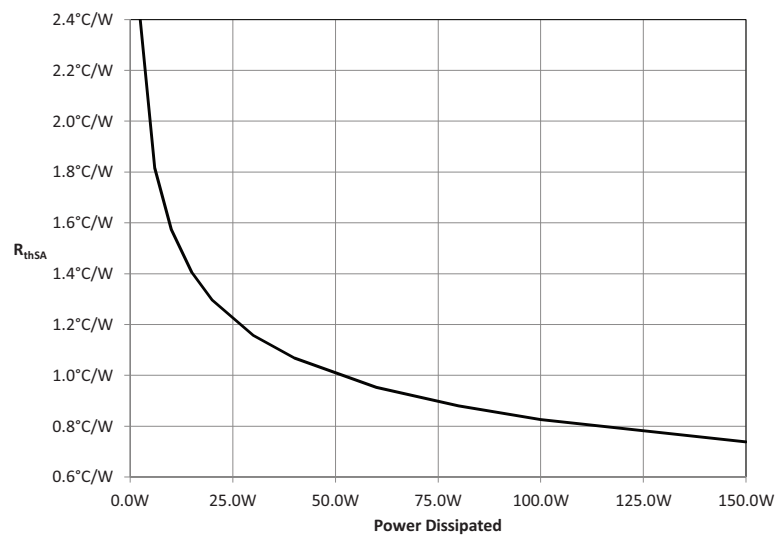
Note:
Dimensions including the SSR.

Features

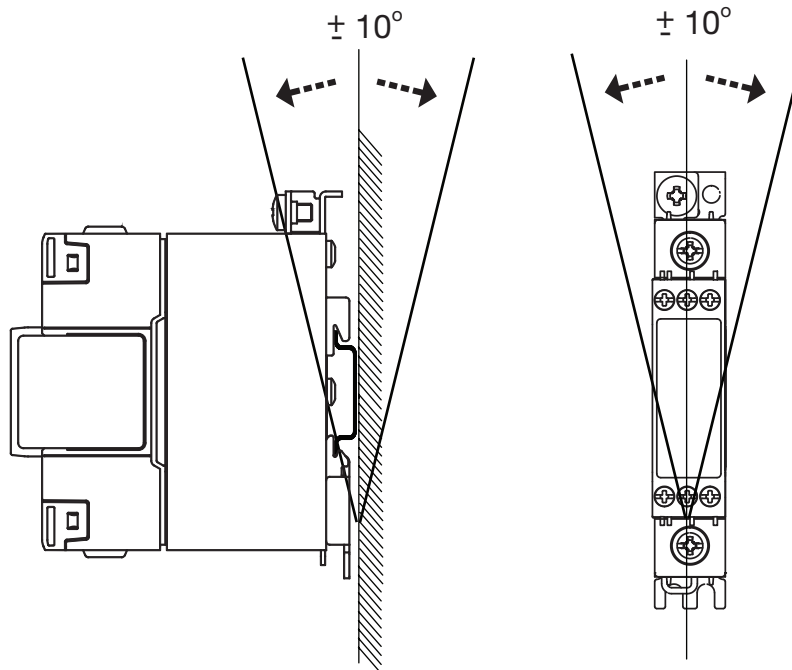
General

SSR max. mounting torque	1.5Nm (13.3 lb-in)
Weight (excl. SSR)	approx. 630g
Material	Aluminium
Finish	None
Fan mounting	Not possible

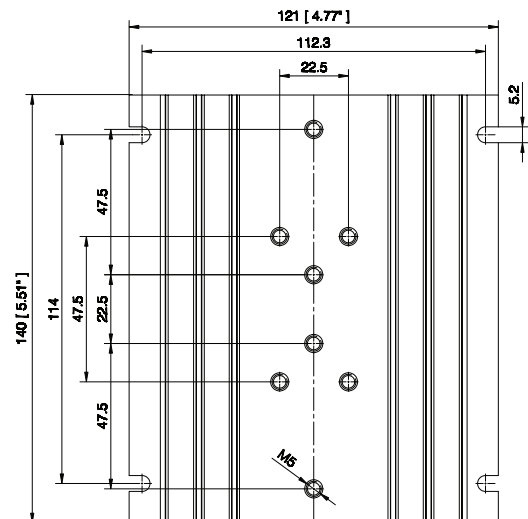
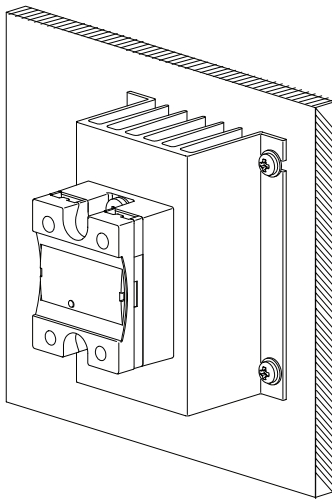
Thermal resistance curve



Mounting position



Installation



All dimensions in mm.
Illustrations are for example only.

Recommended maximum current rating (per SSR)

1. The below recommendations are only valid when the assembly (SSR + heatsink) is mounted as shown in the mounting instructions unless otherwise indicated.
2. The indicated ratings are applicable to one SSR, one pole. Please refer to the online selector tool at www.productselection.net for different load currents, surrounding temperatures or multiple units on one heatsink.
3. These recommendations are applicable only with the indicated Carlo Gavazzi thermal interface material between SSR and heatsink. In case a different thermal interface is utilised these recommendations may no longer be valid.


Pre-attached phase change pad, RKHT

1x 2-pole SSR	Surrounding temperature							
	°C °F	20 68	30 86	40 104	50 122	60 140	70 158	80 176
RK 2.. (per pole)	50	45	40	35	30	25	20	15
	51	50	44.5	38.5	33	27.5	22	16
	75	75	74.5	64.5	55	45	35.5	25.5

Thermal compound, HTS02S

1x 1-phase SSR	Surrounding temperature							
	°C °F	20 68	30 86	40 104	50 122	60 140	70 158	80 176
RD..	1	1	1	1	1	1	1	-
	5	5	5	5	5	5	5	-
RA..L RA..T	10	10	10	10	10	10	10	-
	25	25	25	23	20	16.5	13.5	-
RA..	25	25	25	25	22.5	18.5	14	-
	50	45.5	42.5	36.5	30.5	24.5	18.5	-
	90	61	57	49	40.5	32.5	24	-
RA60..	110	69	64.5	55	45.5	36	26.5	-
	50	44.5	42	36.5	30.5	25	19	-
RA2A.. (per pole)	25	25	25	25	23	18	12	-
	40	35	33	29.5	25.5	19.5	13	-
	25M	25	25	25	23	18	12	-
	40M	35.5	34	30	26	19.5	13	-
RS1A..	10	10	10	10	9.5	7.5	5.5	-
	25	25	25	25	25	25	18.5	-
	40	40	40	40	38.5	29	20	-
RS1A..E	25	23	21.5	19	16.5	13.5	11	-
	40	28	26	23	19.5	16.5	13	-
RM1A.. RM1B.. RM1C..	25	25	25	25	25	25	18.5	-
	50	50	50	48	38.5	29	20	-
	75	74	70	58.5	46.5	35	23.5	-
	100	84.5	77.5	64	51.0	38	25	-
RM1A60.. RM1B60.. RM1C60.. RM1E60..	50	50	47.5	42.5	37.5	29.5	20.5	-
RAM1A.. RAM1B.. RM1E..	25	25	25	25	25	25	18.5	10.5
	50	50	50	48	38.5	29	20	11
	75	74	70	58.5	46.5	35	23.5	12.5
	100	74	70	58.5	46.5	35	23.5	12.5
	125	84.5	77.5	64	51	38	25	13.5
RGS1..E RGS1P..E*	25	25	25	25	25	25	25	22
	50	50	50	50	46	39.5	33	26
	51	50	50	50	45	39	32.5	26
	75	69.5	66	59	51.5	44	36	28.5
	90 91 92	74.5	70.5	63	55	47	39	30.5
RGS1..U	20	20	20	20	20	20	20	20
	30	30	30	30	30	30	30	26
RGS1D..	15	15	15	15	15	15	15	15
	25	25	25	25	25	22	18.5	15

* max. 70 °C / 158 °F for RGS1P..E

 Thermal pad KK071CUT for 1-phase SSRs, RGHT for RG SSRs

1x 1-phase SSR	Surrounding temperature							
	°C °F	20 68	30 86	40 104	50 122	60 140	70 158	80 176
RD..	1	1	1	1	1	1	1	-
	5	5	5	5	5	5	5	-
RA..L RA..T	10	10	10	10	10	10	10	-
	25	24	23	20	17.5	15	12	-
RA..	25	25	25	24.5	21	17	13	-
	50	40	37.5	32.5	27	22	16.5	-
	90	50	47	40.5	34	27	20.5	-
	110	56	52.5	45	37.5	29.5	22	-
RA60..	50	39.5	37	32.5	27.5	22	17	-
RA2A.. (per pole)	25	25	25	23.5	21	18	12	-
	40	31.5	29.5	26.5	23	19.5	13.5	-
	25M	25	25	23.5	21	18	12	-
	40M	32	30.5	27	23.5	20	13	-
RS1A..	10	10	10	10	9	7	5	-
	25	25	25	25	25	22	15	-
	40	40	40	38	31	23.5	16	-
RS1A..E	25	20.5	19.5	17	14.5	12	10	-
	40	24	22.5	19.5	17	14	11.5	-
RM1A.. RM1B.. RM1C..	25	25	25	25	25	22	15	-
	50	48.5	45	38	31	23.5	16	-
	75	56.5	52.5	44	35.5	27	18.5	-
	100	62	57.5	48	38.5	29	20	-
RM1A60.. RM1B60.. RM1C60.. RM1E60..	50	44	42	37.5	31.5	24	17	-
RAM1A.. RAM1B.. RM1E..	25	25	25	25	25	22	15	8.5
	50	48.5	45	38	31	23.5	16	9.0
	75	56.5	52.5	44.0	35.5	27	18.5	10.5
	100	56.5	52.5	44.0	35.5	27	18.5	10.5
	125	62	57.5	48.0	38.5	29	20	11
RGS1..E RGS1P..E*	25	25	25	25	25	25	21.5	17
	50	47	44.5	40	35	30	25	20
	51	46	43.5	39.5	34.5	30	25.5	20.5
	75	53.5	50.5	45	39.5	34	28	22
	90 91 92	56.5	53.5	48	42	36	30.0	23.5
RGS1..U	20	20	20	20	20	20	20	17
	30	30	30	30	30	30	25	20
RGS1D..	15	15	15	15	15	15	13.5	11
	25	23.5	22.5	20.5	18	16	13.5	11

* max. 70 °C / 158 °F for RGS1P..E



References

CARLO GAVAZZI compatible components

Purpose	Component name/code	Notes
Thermal pads	KK071CUT	Packing qty. 50 pcs, suitable for 1-phase SSRs
	RGHT	Packing qty. 10 pcs, suitable for RG SSRs
Phase change thermal pad	RKHT	Packing qty. 10 pcs, suitable for RK series
Thermal compound	HTS02S	2ml syringe of silicone based thermal compound
Screw Kits	SRWKITM5X10MM	Packing qty. 20 pcs.
	SRWKITM5X30MM	Packing qty. 20 pcs.

Further reading

Information	Where to find it
Online heatsink selector tool	http://www.productselection.net/heatsink/heatsinkSelector.php?LANG=UK
Accessories	http://www.productselection.net/Pdf/UK/SSR_Accessories.pdf

Order code



RHS10067LD



COPYRIGHT ©2016
Content subject to change. Download the PDF: www.productselection.net